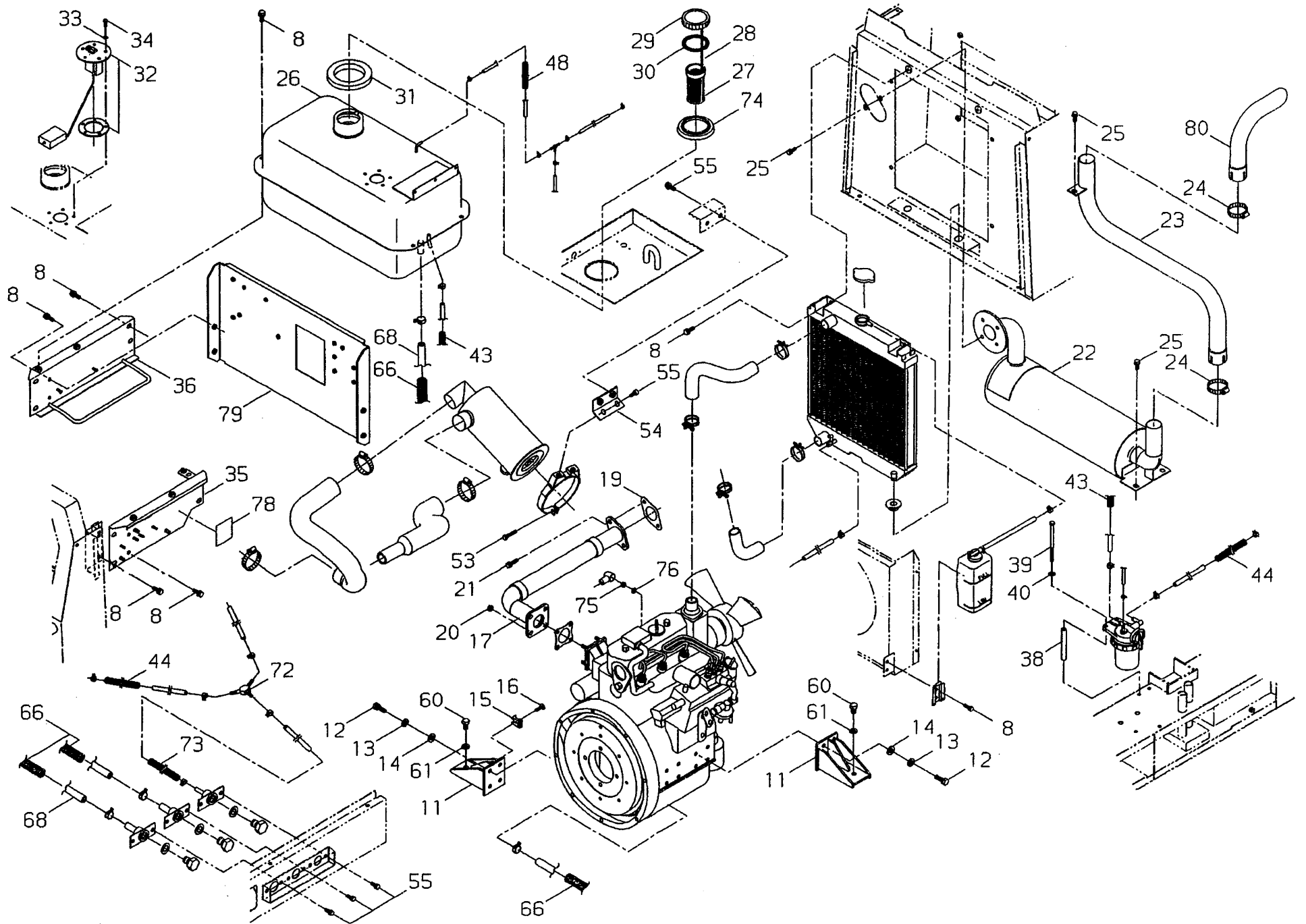


DGW400DM-415C

Ref. 1

ENGINE:D1005-B-DAIWA-1(Kubota)

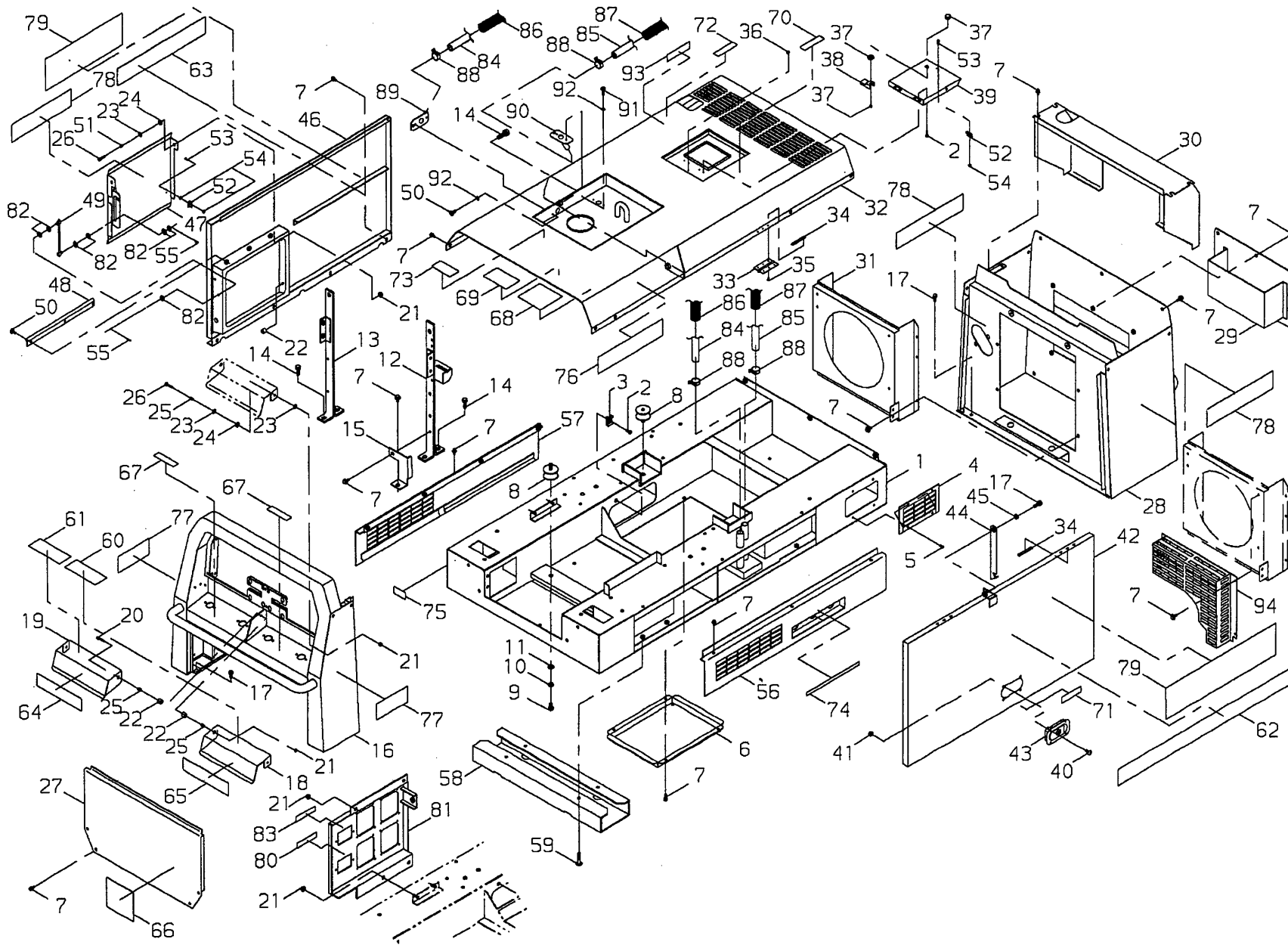


DGW400DM-415C Parts Price List

Ref. No	Part No.	Part Name	Q`ty	
1- 8	11041-06168	BOLT ETSW	20	0.48
11	20930-11060	ENGINE STAY	2	31.26
12	21976-51210	BOLT	8	1.07
13	01600-10251	SPRING WASHER	8	0.24
14	01611-10200	WASHER	8	0.24
15	21990-24220	TIE MOUNT	1	2.27
16	11270-05163	SCREW TAPPING	1	0.24
17	20930-12010	FLEXIBLE TUBE	1	250.57
19	21962-13130	GASKET	1	3.10
20	11526-08112	FLANGE NUT	4	0.48
21	01013-08300	BOLT SW	2	0.60
22	20929-13010	MUFFLER	1	375.85
23	20936-13310	EXHAUST PIPE	1	62.64
24	20903-13240	CLAMP	2	3.70
25	01013-08200	BOLT SPW	5	0.60
26	20930-14020	FUEL TANK	1	400.91
27	21783-14420	STRAINER	1	21.60
28	21783-14430	CHAIN	1	5.25
29	21783-14440	TANK CAP	1	15.03
30	21783-14460	*PACKING	1	3.70
31	21944-14061	SHEET	1	1.01
32	20929-14050	FUEL GAUGE	1	34.72
33	20929-14070	SEAL WASHER	5	1.07
34	01215-05128	SCREW TRUSS	5	0.24
35	71906-14031	TANK STAY RIGHT	1	31.26
36	71906-14050	TANK STAY LEFT	1	37.59
38	20930-15020	PIPE	2	5.01
39	11070-08150	BOLT	2	2.15
40	01612-00800	WASHER	2	0.12
43	20930-15050	TUBE	1	2.51
44	20930-15060	TUBE	2	1.91
48	21945-15120	TUBE	1	1.91
53	01013-08350	BOLT SPW	1	0.60
54	20930-16030	CLEANER STAY	1	18.73
55	01011-08160	BOLT SW	10	0.48
60	01000-12221	BOLT	2	1.19
61	01600-12301	SPRING WASHER	2	0.24
66	20930-22020	TUBE	2	4.30
68	20950-22310	HOSE	1	15.03
72	21006-22050	JOINT	1	14.56
73	20930-22040	TUBE	1	3.10
74	21940-14170	TANK BUSH	1	22.55
75	01500-08061	NUT	1	0.24
76	01600-08201	SPRING WASHER	1	0.24
78	19402-00242	LABEL CAUTION	1	12.53
79	71906-23380	PLATE CONTROLLER	1	60.14
80	28800-05110	TAIL PIPE	1	37.59

DGW400DM-415C

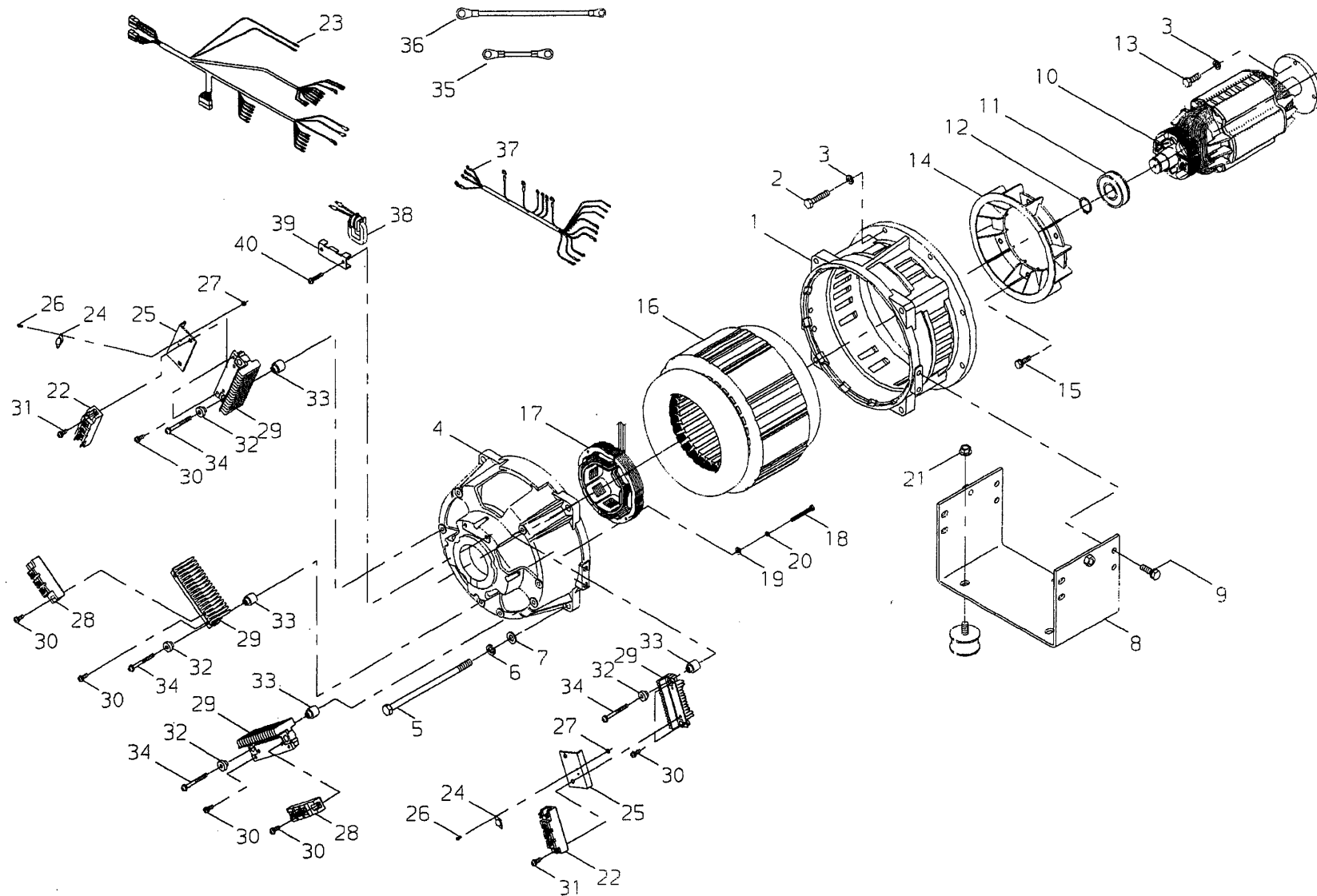
Ref.2



Ref. No	Part No.	Part Name	Q'ty	
2-1	71906-21013	BED	1	1002.27
2	11270-05123	SCREW TAPPING	5	0.24
3	21990-24220	TIE MOUNT	1	2.27
4	20930-21040	DUCT PLATE	2	10.02
5	11270-04121	SCREW TAPPING	8	0.36
6	20930-21060	OILPAN COVER	1	37.59
7	11041-06168	BOLT FTSW	52	0.48
8	17003-33003	AV RUBBER	4	28.88
9	01000-12221	BOLT	2	1.19
10	01600-12301	SPRING WASHER	2	0.24
11	01611-12250	WASHER	2	0.24
12	20930-21070	STAND BAR RIGHT	1	76.36
13	20929-21070	STAND BAR LEFT	1	57.03
14	01013-10250	BOLT SW	6	0.72
15	71917-21310	DOOR CATCH	1	#VALUE!
16	71906-23010	FRONT COVER	1	876.99
17	01013-08200	BOLT SPW	7	0.60
18	71906-23330	TERMINAL COVER R	1	37.59
19	71906-23360	TERMINALCOVER L	1	37.59
20	01017-06300	BOLT SW	1	0.60
21	11526-06112	FLANGE NUT	9	0.36
22	21940-22270	RUBBER PIPE	4	0.84
23	01612-00800	WASHER	6	0.12
24	21940-22250	BUSH RUBBER	4	1.79
25	17901-06085	COLLAR	4	0.72
26	01017-06250	BOLT SW	4	0.48
27	71906-23130	FRONT PANEL	1	81.38
28	71906-24010	REAR COVER	1	813.75
29	71906-24140	REAR PANEL	1	116.45
30	20930-24060	MUFFLER GUARD	1	150.34
31	71915-24080	FAN SHROUD	1	81.38
32	71906-25012	TOP COVER	1	838.81
33	21995-25210	*HINGE	2	10.38
34	21990-27240	*TAPPING PLATE	2	1.07
35	01201-04100	*SCREW	6	0.12
36	71906-25040	*CUSHION	1	0.95
34	21990-27240	TAPPING PLATE	2	1.07
35	01201-04100	SCREW	6	0.12
37	71917-25350	LOCK	1	#VALUE!
38	71917-25360	BUCKLE	1	#VALUE!
39	71917-25311	CHECK PLATE	1	#VALUE!
40	01215-05103	SCREW TRUSS	4	0.24
41	11526-05212	FLANGE NUT	4	0.24
42	71917-26310	SIDE COVER	1	#VALUE!
43	21440-23460	LOCK COVER	1	52.62
44	20923-26212	STOPPER ARM	1	18.73
45	15401-10013	COLLAR	1	1.19
46	71906-26050	SIDE PANEL	1	250.57
47	71906-26341	TERMINAL COVER	1	41.28
48	71906-26350	PLATE	1	12.17
49	71906-26371	ROD	1	14.32
50	01215-05128	SCREW TRUSS	5	0.24
51	17901-06095	COLLAR	2	0.72
52	21850-27220	TONGUE	2	8.23
53	01213-03120	SCREW SW	4	0.24
54	11526-03112	FLANGE NUT	6	0.36
55	12400-12060	SNAP PIN	2	0.60
56	71906-27010	SIDE PLATE R	1	106.43
57	71906-27040	SIDE PLATE L	1	91.40
58	71906-29010	BASE	2	119.32
59	11210-10250	SCREW BUTTON	8	0.95
60	71906-91311	LABEL NAME	1	10.62
61	71906-91321	LABEL NAME	1	10.62
62	71906-91040	LABEL TRADE	1	28.76
63	71906-91050	LABEL TRADE	1	28.76
64	19401-00291	LABEL INST	1	8.11
65	19401-00292	LABEL INST	1	8.11
66	19402-00255	LABEL CAUTION	1	8.11
67	19402-00193	LABEL CAUTION	2	5.37
68	19402-00194	LABEL CAUTION	1	8.95
69	19402-00195	LABEL CAUTION	1	7.16
70	19402-00201	LABEL CAUTION	1	6.20
71	19402-00199	LABEL CAUTION	1	5.61
72	19402-00200	LABEL CAUTION	1	5.61
73	19402-00166	LABEL CAUTION	1	6.20

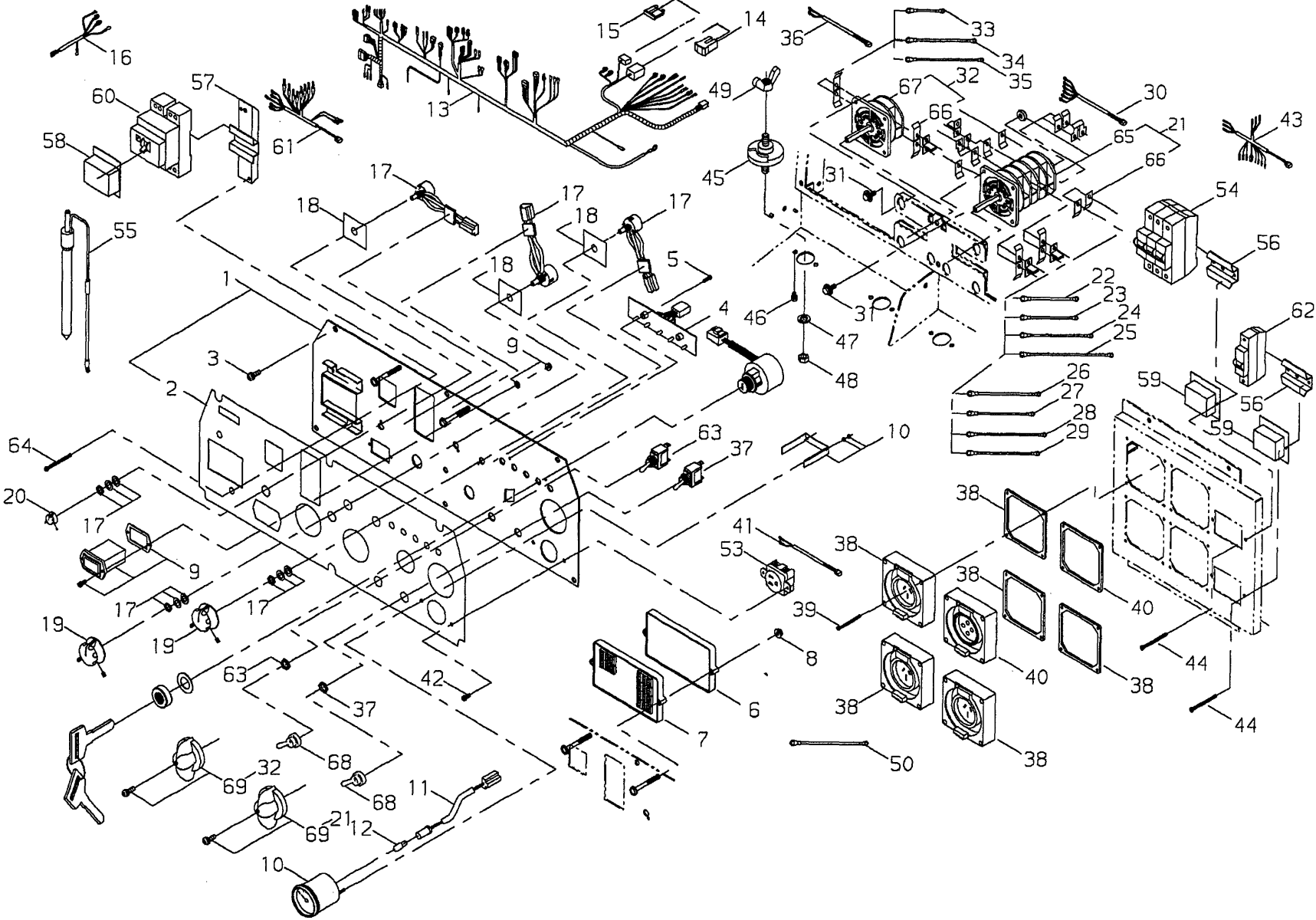
Ref. No	Part No.	Part Name	Q`ty	
74	19401-00282	LABEL INST	1	6.80
75	19401-00206	LABEL INST	1	3.70
76	19406-00074	LABEL FEATURE	1	15.03
77	19407-00008	LABEL DESIGN	2	3.46
78	19407-00024	LABEL DESIGN	3	6.20
79	19420-00079	LABEL TRADE	2	12.53
80	19401-00293	LABEL INST	1	5.25
81	71906-83341	CONTROL PLATE	1	60.14
82	71906-26400	WASHER	7	0.60
83	19401-00298	LABEL INST	1	5.25
84	71906-25150	HOSE	1	15.63
85	71906-25160	HOSE	1	12.17
86	71906-25170	TUBE	1	10.26
87	71906-25180	TUBE	1	8.23
88	20923-25510	HOUSE CLAMP	4	1.43
89	71906-25100	DRAIN PIPE	1	3.10
90	71906-25130	DRAIN PIPE	1	3.10
91	01215-05168	SCREW TRUSS	2	0.12
92	20929-14070	SEAL WASHER	4	1.07
93	19402-00256	LABEL CAUTION	1	9.31
94	71915-24310	FAN GUARD	1	12.53

DGW400DM-415C
Ref.3



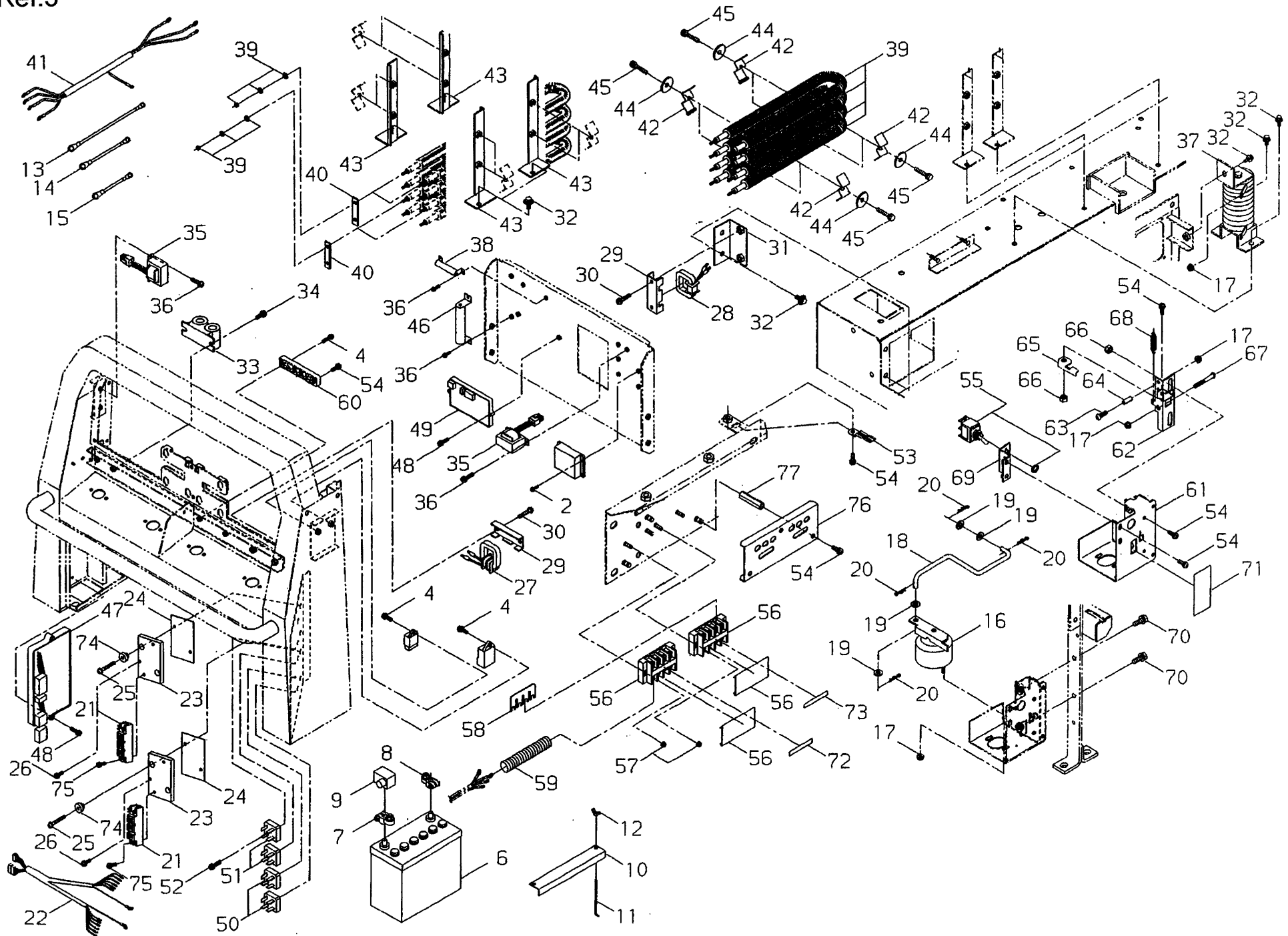
Ref. No	Part No.	Part Name	Q`ty	
3-1	20929-31011	FRONT BRACKET	1	297.10
2	01000-10259	BOLT	8	1.79
3	01600-10251	SPRING WASHER	12	0.24
4	20930-31012	REAR BRACKET	1	335.28
5	11070-12200	BOLT	4	2.51
6	01600-12301	SPRING WASHER	4	0.24
7	01611-12250	WASHER	4	0.24
8	20930-31030	GENERATOR STAY	1	81.38
9	01013-10300	BOLT SPW	8	0.72
10	20930-51018	ROTOR	1	1503.41
11	12900-63070	BEARING	1	43.79
12	02430-34150	SNAP RING	1	1.19
13	01002-10304	BOLT	4	1.79
14	17323-97000	FAN	1	100.23
15	01013-08250	BOLT SPW	6	0.60
16	71917-52310	STATOR	1	2505.68
17	20930-52021	STATOR	1	688.47
18	01000-05451	BOLT	4	0.60
19	01612-00500	WASHER	4	0.12
20	01600-05131	SPRING WASHER	4	0.12
21	11527-12112	FLANGE NUT	2	0.72
22	14636-10514	THYRISTOR	2	106.43
23	71906-71320	WIRING HARNESS	1	45.10
24	20930-71030	THERMOSTAT	2	43.79
25	20930-71040	STACK FIN	2	37.59
26	01213-03120	SCREW SW	4	0.24
27	11526-03112	FLANGE NUT	4	0.36
28	14606-10514	RECTIFIER	2	93.90
29	21780-34140	STACK FIN	4	47.61
30	01213-06160	SCREW SW	10	0.36
31	01213-06200	SCREW SW	4	0.36
32	14875-61000	INS RING	8	1.19
33	14875-61002	INS RING	8	1.91
34	01213-06550	SCREW SW	8	0.60
35	14320-61800	LEAD WIRE	5	6.20
36	14320-65002	LEAD WIRE	1	7.88
37	71906-71341	WIRING HARNESS	1	36.27
38	21995-72100	CT COMP	1	41.28
39	20930-72010	CORE PLATE	1	6.20
40	01211-06250	SCREW SW	2	0.60

DGW400DM-415C
Ref.4



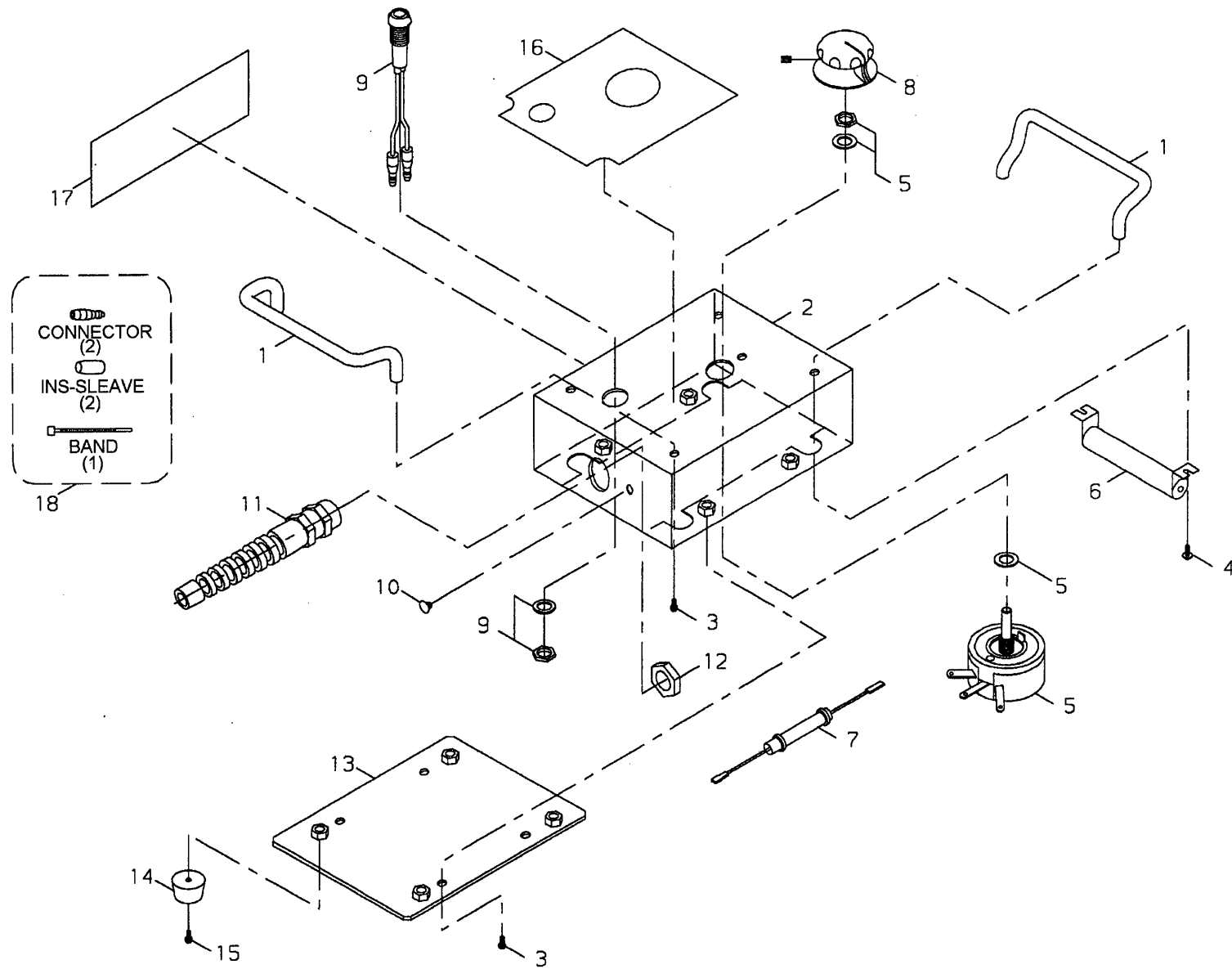
Ref. No	Part No.	Part Name	Q'ty	
4 -1	71917-23310	CONTROL PANEL	1	138.41
2	71917-23320	*LABEL CONTROL	1	#VALUE!
3	01213-06160	SCREW SW	7	0.36
4	20930-75041	PRINT CIRCUIT	1	81.38
5	01210-04140	SCREW	2	0.24
6	71906-75321	PRINT CIRCUIT	1	501.14
7	71906-75330	PRINT CIRCUIT	1	312.61
8	11526-05112	FLANGE NUT	2	0.36
9	20929-77010	HOUR METER	1	69.80
10	21974-12330	FUEL METER	1	121.70
11	20930-77010	LAMP ASSY	1	6.20
12	15230-29001	*PILOT LAMP	1	3.10
13	71906-78012	WIRING HARNESS ASSY	1	326.93
14	05285-10500	*FUSE	1	0.72
15	21006-78030	*FUSE	1	0.95
16	71906-78320	WIRING HARNESS	1	41.88
17	20929-81010	VOLUM COMP	3	23.74
18	20929-81030	INS PAPER	3	0.60
19	21780-75120	DIAL	2	8.83
20	21614-82210	DIAL	1	3.70
21	71917-82320	CAM SWITCH SUB ASSY	1	743.35
65	71917-82330	*CAM SWITCH	1	#VALUE!
66	20930-82060	*SEAL PLATE	16	1.79
69	20970-98380	*HANDLE	1	33.41
22	14320-83500	LEAD WIRE	1	24.22
23	14320-83501	LEAD WIRE	1	18.97
24	14320-85500	LEAD WIRE	1	24.58
25	14320-89500	LEAD WIRE	1	53.81
26	14320-85000	LEAD WIRE	1	23.27
27	14320-84000	LEAD WIRE	1	20.28
28	14320-87400	LEAD WIRE	1	35.08
29	14320-85100	LEAD WIRE	1	23.03
30	71906-82330	WIRING HARNESS	1	11.81
31	11041-06168	BOLT FTSW	8	0.48
32	71906-82360	CAM SWITCH SUB ASSY	1	501.14
66	20930-82060	*SEAL PLATE	4	1.79
67	71906-82320	*CAM SWITCH	1	493.98
69	20970-98380	*HANDLE	1	33.41
33	14320-82800	LEAD WIRE	1	16.94
34	14320-87100	LEAD WIRE	1	34.36
35	14320-89000	LEAD WIRE	1	35.08
36	71906-82340	WIRING HARNESS	1	3.94
37	05260-13100	TOGGLE SWITCH	1	17.18
38	05201-22206	SOCKET	3	93.31
39	11270-03253	SCREW TAPPING	16	0.60
40	05201-43300	SOCKET	1	170.11
41	71906-83360	WIRING HARNESS	1	3.94
42	01211-04080	SCREW SW	2	0.24
43	71906-84311	WIRING HARNESS	1	66.10
44	01210-04700	SCREW	4	0.48
45	15201-00081	TERMINAL REST	4	15.27
46	01015-05080	BOLT SW	8	0.36
47	01600-10256	SPRING WASHER	4	0.72
48	01500-10086	NUT	4	1.31
49	01520-01009	WING NUT	4	3.46
50	14320-85700	LEAD WIRE	1	23.15
53	05201-22111	SOCKET	1	9.66
54	05280-54404	BRAKER	1	95.40
55	71906-93320	EARTH ROD	1	27.56
56	71906-84360	STAY	2	81.38
57	71906-84370	STAY	1	16.82
58	71906-84380	DUST COVER	1	7.52
59	71906-84390	DUST COVER	2	7.52
60	71906-84400	LEAKAGE RELAY	1	92.50
61	71906-84350	WIRING HARNESS	1	100.23
62	05281-03303	CIRCUIT PROTECTOR	3	22.50
63	05260-13202	TOGGLE SWITCH	1	32.57
64	01210-04800	SCREW	2	0.60
68	22851-84010	CAP	2	2.86

DGW400DM-415C
Ref.5



Ref. No	Part No.	Part Name	Q'ty	
5-2	01213-05200	SCREW SW	4	0.24
4	01213-05160	SCREW SW	4	0.24
6	05909-00070	BATTERY 65B24L	1	306.65
7	21966-28110	TERMINAL+	1	5.25
8	21966-28120	TERMINAL-	1	5.25
9	21966-28130	TERMINAL CAP	1	1.67
10	20930-28020	BATTERY STAY	1	11.45
11	21995-28120	BOLT BATTERY	2	2.15
12	01520-10822	WING NUT	2	0.60
13	14350-89400	LEAD WIRE	1	29.35
14	14350-82501	LEAD WIRE	1	5.97
15	14350-71200	LEAD WIRE	1	3.70
16	20930-61010	SOLENOID COMP	1	375.85
17	11526-06112	FLANGE NUT	7	0.36
18	20930-61050	ROD	1	11.81
19	01612-00800	WASHER	4	0.12
20	12400-16080	SNAP PIN	4	0.60
21	14636-80004	THYRISTOR	2	106.43
22	71906-71330	WIRING HARNESS	1	33.77
23	21944-71040	STACK PLATE	2	21.60
24	71906-71310	SHEET	2	5.37
25	01213-06308	SCREW SPW	4	0.36
26	01213-06120	SCREW SW	2	0.36
27	21780-72120	CT	1	42.60
28	21995-72100	CT COMP	1	41.28
29	20930-72010	CORE PLATE	2	6.20
30	01211-06250	SCREW SW	4	0.60
31	71906-72310	CT STAY	1	6.80
32	11041-06168	BOLT FT SW	11	0.48
33	71906-72110	CT	1	200.45
34	01213-04160	SCREW SPW	2	0.36
35	27720-61500	TRANSFORMER COMP	2	30.66
36	01213-04120	SCREW SW	8	0.24
37	71906-72320	REACTOR	1	844.77
38	20930-74010	RESISTOR COMP	1	37.59
39	20929-74020	RESISTOR	4	93.90
40	20929-74030	BUS BAR	4	2.51
41	71906-74320	WIRING HARNESS	1	48.20
42	20929-74051	RESISTOR STAY	8	5.01
43	20930-74031	RESISTOR PLATE	4	7.52
44	15401-50000	COLLAR	8	1.91
45	01013-06450	BOLT SPW	8	0.60
46	71906-74311	RESISTOR COMP	1	45.10
47	71917-75310	PRINTED CIRCUIT	1	532.16
48	01017-05250	BOLT SW	4	0.36
49	71906-75310	PRINTED CIRCUIT	1	143.18
50	14600-25006	RECTIFIER	2	26.73
51	14600-15008	RECTIFIER	2	40.69
52	01213-04200	SCREW SPW	4	0.24
53	21945-78050	FUSE STAY	1	3.70
54	01213-06160	SCREW SW	12	0.36
55	05260-36200	TOGGLE SWITCH	1	43.79
56	15241-19401	TERMINAL BLOCK	2	62.64
57	11526-05112	FLANGE NUT	4	0.36
58	20930-86030	BUS BAR	1	15.03
59	20930-86050	TUBE	1	1.79
60	21760-81181	TERMINAL REST	1	18.14
61	20930-88010	THROTTLE BRACKET	1	37.59
62	20930-88020	SLIDE PLATE	1	10.02
63	01210-06300	SCREW	2	0.24
64	17901-06200	COLLAR	2	1.19
65	20923-88433	PLATE KNOB	1	3.46
66	20923-88440	COLLAR	3	3.10
67	01210-06500	SCREW	1	0.60
68	17510-10000	COIL SPRING	1	2.15
69	20930-88030	SWITCH BRACKET	1	3.70
70	01013-08200	BOLT SPW	2	0.60
71	19401-00280	LABEL INST	1	10.62
72	19404-00030	LABEL HERTZ	1	3.70
73	19404-00031	LABEL HERTZ	1	3.70
74	14875-61000	INS RING	4	1.19
75	01213-06200	SCREW SW	4	0.36
76	71906-14060	COVER	1	6.92
77	71906-14080	NUT	3	2.51

RCB-400/415
Ref.7



Ref. No	Part No.	Part Name	Q`ty	
6-1	28800-02130	HANDLE	2	15.03
2	28800-02121	REMOTE CONTROL BO	1	46.89
3	01213-04080	SCREW SW	6	0.24
4	11200-04080	SCREW PL	2	0.24
5	15221-49400	RESISTOR	1	146.76
6	15220-39300	RESISTOR	1	24.70
7	78800-01330	RESISTOR	1	#VALUE!
8	21780-75120	DIAL	1	8.83
9	15234-90200	LED BRACKET	1	18.73
10	27731-21020	BAND STOPPER	1	1.19
11	28800-02160	CORD CONNECTOR	1	10.98
12	28800-02230	NUT	1	4.41
13	28800-02170	PLATE	1	11.22
14	28800-02180	STAND RUBBER	4	0.60
15	01211-04120	SCREW SW	4	0.24
16	78800-01340	LABEL CONTROL	1	13.48
17	19402-00250	LABEL CONTROL	1	9.07
18	78800-01350	CONNECTOR SET	1	2.15